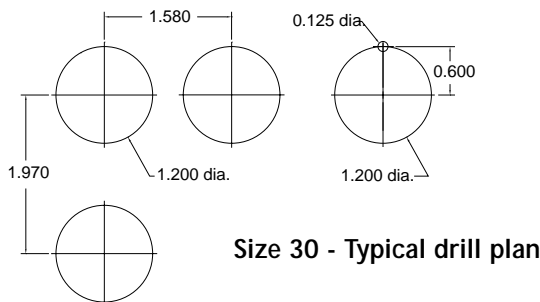
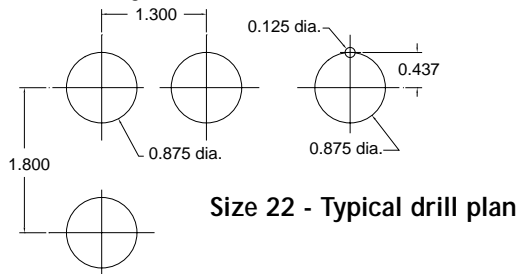




Legend Text	22 Size Part #	33 Size Part #
Blank	PS-01	PL-01
Start	PS-02	PL-02
Stop (red)	PS-03	PL-03
Forward	PS-04	PL-04
Reverse	PS-05	PL-05
Fast	PS-06	PL-06
Slow	PS-07	PL-07
On	PS-08	PL-08
Off (red)	PS-09	PL-09
Reset	PS-10	PL-10
Raise	PS-11	PL-11
Lower	PS-12	PL-12
Emergency Stop (red)	PS-13	PL-13
Run / Jog	PS-31	PL-31
Auto / Hand	PS-32	PL-32
Forward / Reverse	PS-33	PL-33
Fast / Slow	PS-34	PL-34
Open / Close	PS-35	PL-35
Up / Down	PS-36	PL-36
Off / On	PS-37	PL-37

Mounting Clippard Manual Actuators

These drill plans are for units fitted with optional anti-rotation ring



Legend Plates

Plastic legend plate, two sizes, with a black field and white inscription (red as noted). Inscription plates are interchangeable in both sizes.



Accessories for Manual Actuators

Mounting Wrench

Fits both 22 Size and 30 Size manual actuators.

Part No. Description
PB-60Mounting Wrench



Valve Adapter

Adapts all manual actuators to any Clippard standard 2-, 3-, or 4-way brass valve. Made of ZYTEL® ST-901 Supertough Nylon.

Part No. Description
PB-85Valve Adapter



Square Bezel

Converts any 22 Size actuator to a square actuator.

Part No. Description
PS-65Square Bezel



Replacement Mounting Nut

Mounting nut that holds manual actuators to panel. Included with manual actuators. 22 Size only.

Part No. Description
PS-55Replacement Mounting Nut



Anti-Rotation Ring

Holds push button in one position. Included with all twist manual actuators.

Part No. Description
PS-50Anti-Rotation Ring, 22 mm
PL-50Anti-Rotation Ring, 30 mm

